

Electric End Control Pallet Truck



Model :
T-CBD25T
T-CBD30T

Heavy Duty type T-CBD series
Rider Pallet Trucks with capacity
(2500 ~ 3000 kg / 5500 ~ 6600 lbs)
widely used in supermarket &
big warehouse.

AC **EPS**



1. Germany Frei handle.
2. High & Low speed switches.
3. Large storage compartment near console to store tools, pencils and paper.

Advantages :

SAFETY AND EFFICIENCY

- Smooth running, excellent climbing ability, with durable and reliable truck body and wheels.
- Side-standing operation, safety handle bar provides safty operation.
- Electric power steering system(EPS).
- Multi-function display: battery status, hour meter, fault code, slow running state, etc.
- Switch control equipped armrest for lifting/lowering, slow running and the horn functions.
- High-capacity Battery and big power Drive Motor provides strong power and ensures long working time.
- Adjustable-speed AC motor provides long life, free maintenance and excellent performance for the ramp up & down.
- Emergency reverse direction switch equipped handle, provides safer operation.
- Build-in pressure relief valve protects the truck from overloads.
- Emergency power disconnecter.
- Turtle speed switch.

STRUCTURAL

- Vertical drive motor system easy for maintenance.
- Equipped with a load-backrest (different height is available).
- The lifting height reaches 135mm, which provides better passing ability.
- Combined balance wheels increase steadiness, preventing the truck from being rocked from side to side.
- The balance wheel is detachable, it is convenient to maintain.
- The side door of battery is conveniently to be replaced and service.

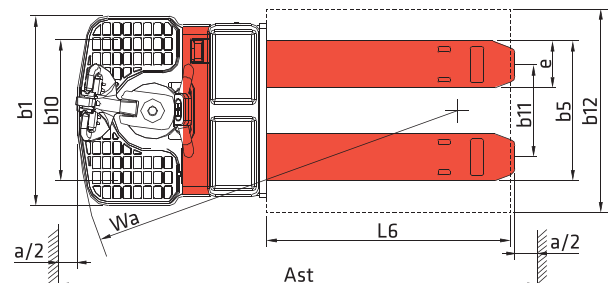
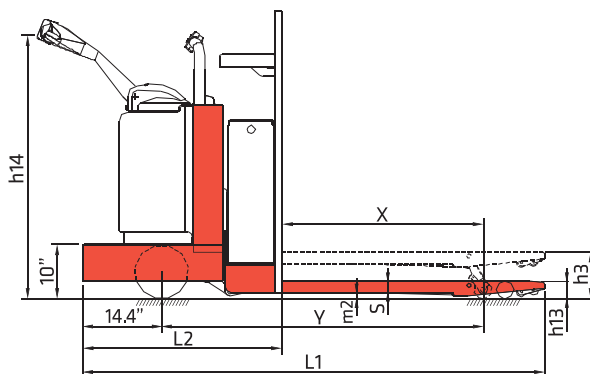
EASY MAINTENANCE

- Low battery protection setting prolongs the battery use time.
- CANbus technology reduces wiring complexity, making the line clear, orderly and easy to repair. And also increases the truck's reliability.
- Hall-effect throttle control eliminates wear components and prolongs its use time.
- With reasonable design, the cover is reliable and easy to dismantle, which makes the maintenance of the electrical parts very easy.

Model		T-CBD25T	T-CBD30T
Load capacity / rated load	Q (lbs)	5500	6600
Load centre distance	C (inch)	24	24
Load distance, centre of drive axle to fork	X (inch)	36.8	36.8
Height (lowered)	h13 (inch)	3.2	3.2
Tyre size (front)	inch	φ 10 x 3.2	φ 10 x 3.2
Tyre size (rear)	inch	φ 3.2 x 6.8	φ 3.2 x 6.8
Additional wheels (dimensions)	inch	φ 5 x 2.3	φ 5 x 2.3
Wheels, number front rear (x = driven wheels)		1X+2/2	1X+2/2
Max. lift height	h3 (inch)	8.5	8.5
Height of tiller in drive position min./max.	h14 (inch)	41 / 54.1	41 / 54.1
Overall length	l1 (inch)	84.4	84.4
Length to face of forks	l2 (inch)	36.3	36.3
Overall width	b1 (inch)	36.9	36.9
Fork dimensions	inch	2.2 x 9.1 x 48	2.2 x 9.1 x 48
Width overall forks	b5 (inch)	27	27
Aisle width for pallets 39.4"x 47.2" crossways	Ast (inch)	92.2	104.9
Aisle width for pallets 31.5"x 47.2" lengthways	Ast (inch)	92.2	100
Turning radius	Wa (inch)	73.2	73.2
Travel speed (laden / unladen)	mph	4.7 / 5.0	3.7 / 4.0
Battery voltage, nominal capacity K5	V/Ah	24 / 300	24 / 300
Battery weight	lbs	660	660
Battery dimensions (L x W x H)	inch	31.9 x 8.3 x 26.2	31.9 x 8.3 x 26.2
Service weight (with battery)	lbs	1896	1896

Option : Max capacity up to 8800 lbs
Max.Fork length : 82 inch
Two pallet available

* Option : T-CBD30T Lithium battery 225Ah (Charger 24V / 100Ah)



TAILIFT MATERIAL HANDLING TAIWAN CO., LTD.

No. 5, Zili 1st Road, Nankang Industrial Zone, Nantou city 540, TAIWAN
 Tel: +886-49-2263800 Fax: +886-49- 2252919
 Website: www.tailift.com E-mail: insales@tailift.com.tw

TAILIFT MATERIAL HANDLING USA, Inc.

5550 Jurupa St, Ontario, CA 91761
 TEL: (909) 930-9801, (909) 930-9802 FAX: (909) 930-9739
 Website: www.tailift-usa.com

